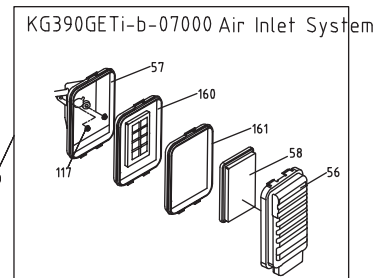
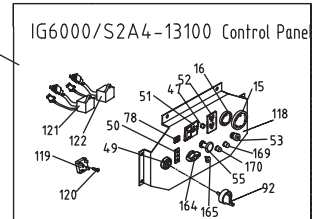
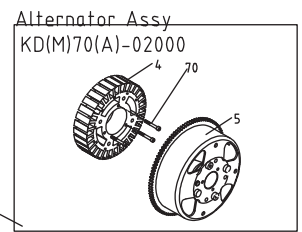
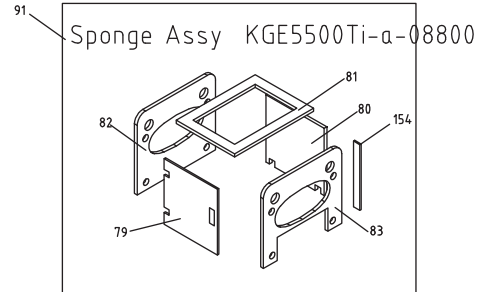
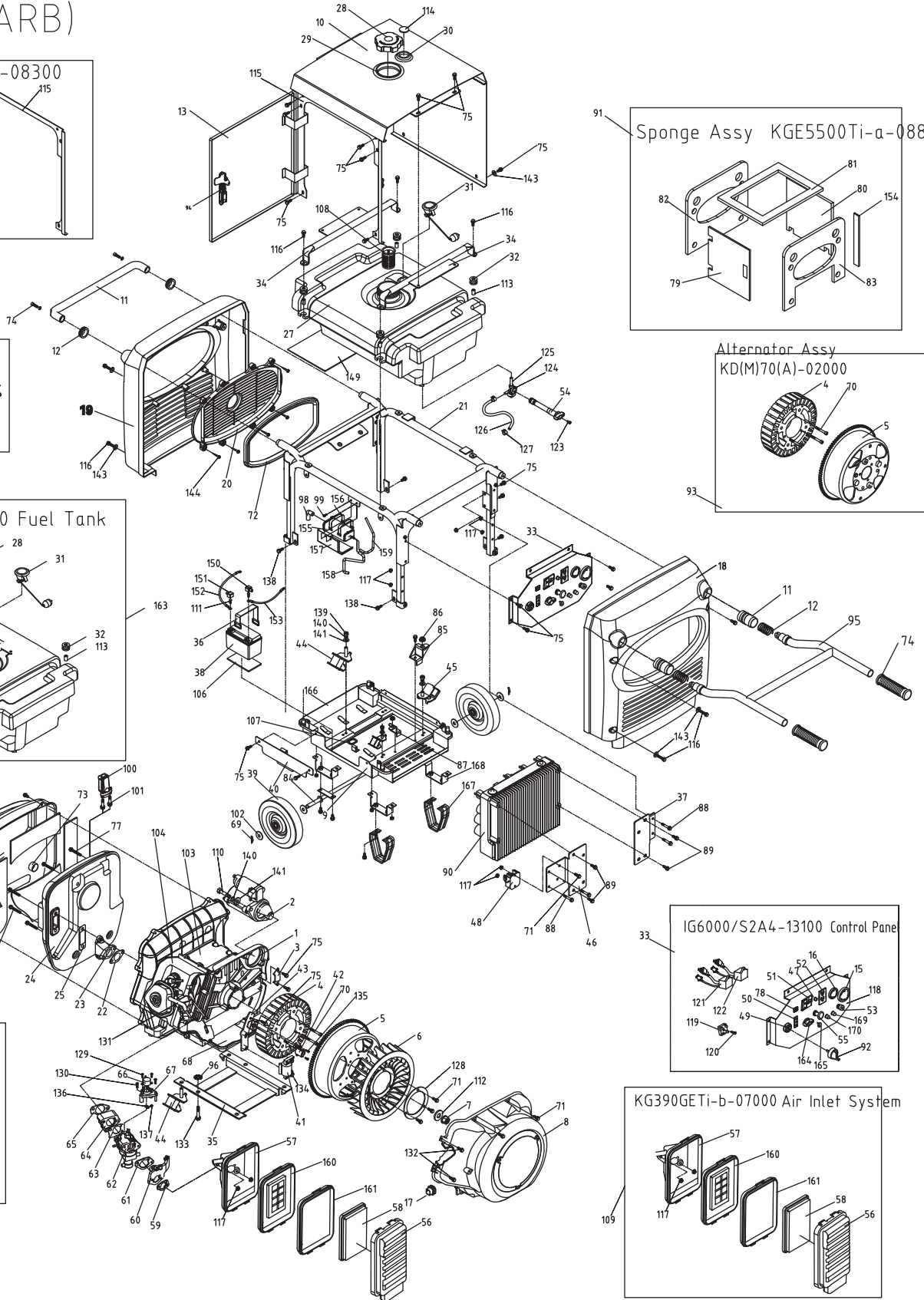
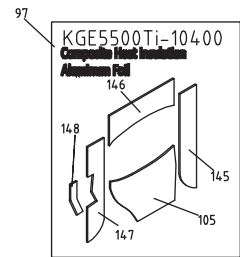
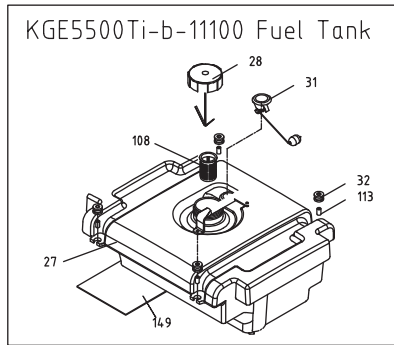
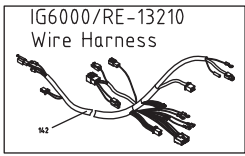
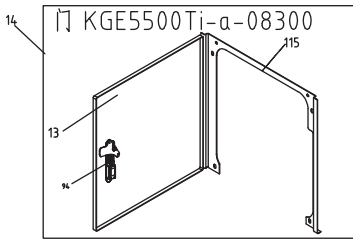
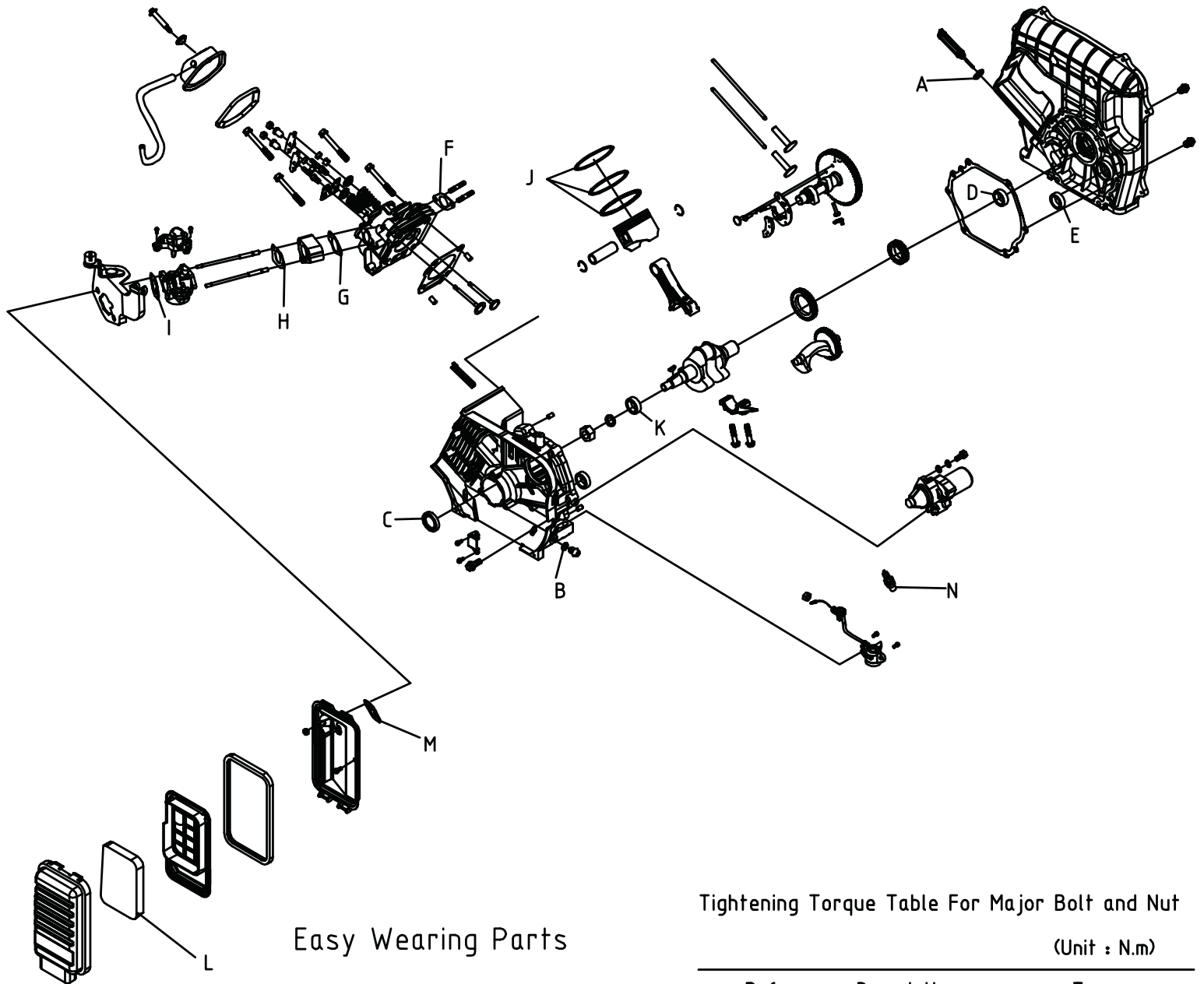


IG6000 (CARB)



EPA 600001 Parts List				
No.	Original Part No.	NTP No.	Description	Qty
1	6020001-00000		Engine Assembly	1
2	6020001-00000		Timing Motor	1
3	6020001-00000		Press Line Plate	1
4	6020001-00000		Stator Assembly	1
5	6020001-00000		Motor Assembly	1
6	6020001-00000		Wind Switcher	1
7	6020001-00000		Hydraulic Nut	1
8	6020001-00000		Motor Wind Scoop	1
9	6020001-00000		Pinion	1
10	6020001-00000		Cabinet Side Covering Plate Assy	1
11	6020001-00000		Slide Switch	2
12	6020001-00000		Handle Spring	2
13	6020001-00000		Cabinet Door Winddown	1
14	6020001-00000		Door	1
15	154 30		Plasticale	1
16	154 30		Plasticale	1
17	6020001-00000		Box Seal Ring	1
18	6020001-00000		Front Cover	1
19	6020001-00000		Rear Cover	1
20	6020001-00000		Exhaust Baffle Winddown	1
21	6020001-00000		Framework Winddown	1
22	6020001-00000		Exhaust Pipe Gasket	1
23	6020001-00000		Exhaust Pipe	1
24	6020001-00000		Nut/Bolt	1
25	6020001-00000		Gasket A	1
26	6020001-00000		Washer Cover Assy	1
27	6020001-00000		Fast Track	1
28	6020001-00000		Fast Track Cover	1
29	6020001-00000		Fast Track Entrance Sheath	1
30	6020001-00000		Adjustment Plate	1
31	6020001-00000		Fast Track Bolt	1
32	6020001-00000		Fast Track Spring Washer	4
33	6020001-00000		Control Panel	1
34	6020001-00000		Exhausting Fan Winddown	1
35	6020001-00000		Engine Support Winddown	1
36	6020001-00000		Battery Fixture Bolt	1
37	6020001-00000		Mobile Fixture Plate 2	1
38	100		Isolator Wheel	2
39	6020001-00000		Battery Buffer Plate	1
40	6020001-00000		Adjustment Cap	1
41	6020001-00000		Support	1
42	6020001-00000		Support Coll Support Winddown	1
43	6020001-00000		Left Shank Absorbing Block	2
44	6020001-00000		Right Shank Absorbing Block	2
45	6020001-00000		Mobile Fixture Plate 1	1
46	6020001-00000		Overload Battery Switch	1
47	6020001-00000		Charging Regulator	1
48	6020001-00000		Electrical Meter	1
49	6020001-00000		2 to 1 Splitter	1
50	6020001-00000		DC Receptacle (DC12V 5A)	1
51	6020001-00000		AC Receptacle	1
52	6020001-00000		Terminal Nut	1
53	6020001-00000		Fast Track Adjusting Pin	1
54	6020001-00000		Air Doser Dragline	1
55	6020001-00000		Air Filter Cover	1
56	6020001-00000		Air Filter Bottom Seal	1
57	6020001-00000		Filter Element	1
58	6020001-00000		Cartridge Back Up Ring	1
59	6020001-00000		Level Control Sensor	1
60	6020001-00000		Cartridge Gasket B	1
61	6020001-00000		Carburator	1
62	6020001-00000		Carburator Gasket A	1
63	6020001-00000		Carburator Insulator Block	1
64	6020001-00000		Carburator Insulator Block	1
65	6020001-00000		Water Pipe Gasket	1
66	6020001-00000		Spring Motor	1
67	6020001-00000		Alternator Support	1
68	6020001-00000		Cylinder Bottom Cover	1
69	6020001-00000		Lock Pin 12	2
70	6020001-00000		Water Filter (80 Mesh)	1
71	6020001-00000		Ball M8x16	14
72	6020001-00000		Exhaust Baffle Winddown Seal	1
73	6020001-00000		Fast Track Bolt	1
74	6020001-00000		Handy Rubber Sticker	2
75	6020001-00000		Ball M8x12	21
76	6020001-00000		Ball M8x7	2
77	6020001-00000		Ball M8x10	4
78	6020001-00000		Spring Washers	1
79	6020001-00000		Inner Springs For Cabinet Door Plate	1
80	6020001-00000		Inner Springs For Cabinet Left Side Plate	1
81	6020001-00000		Inner Springs For Cabinet Lower Cover Plate	1
82	6020001-00000		WIPER SPRING FOR WIPER PLATE	1
83	6020001-00000		WIPER SPRING FOR WIPER PLATE	1
84	6020001-00000		WIPER SPRING FOR WIPER PLATE	1
85	6020001-00000		WIPER SPRING FOR WIPER PLATE	1
86	6020001-00000		WIPER SPRING FOR WIPER PLATE	1
87	6020001-00000		WIPER SPRING FOR WIPER PLATE	1
88	6020001-00000		WIPER SPRING FOR WIPER PLATE	1
89	6020001-00000		WIPER SPRING FOR WIPER PLATE	1
90	6020001-00000		WIPER SPRING FOR WIPER PLATE	1
91	6020001-00000		WIPER SPRING FOR WIPER PLATE	1
92	6020001-00000		WIPER SPRING FOR WIPER PLATE	1
93	6020001-00000		WIPER SPRING FOR WIPER PLATE	1
94	6020001-00000		WIPER SPRING FOR WIPER PLATE	1
95	6020001-00000		WIPER SPRING FOR WIPER PLATE	1
96	6020001-00000		WIPER SPRING FOR WIPER PLATE	1
97	6020001-00000		WIPER SPRING FOR WIPER PLATE	1
98	6020001-00000		WIPER SPRING FOR WIPER PLATE	1
99	6020001-00000		WIPER SPRING FOR WIPER PLATE	1
100	6020001-00000		WIPER SPRING FOR WIPER PLATE	1
101	6020001-00000		WIPER SPRING FOR WIPER PLATE	1
102	6020001-00000		WIPER SPRING FOR WIPER PLATE	1
103	6020001-00000		WIPER SPRING FOR WIPER PLATE	1
104	6020001-00000		WIPER SPRING FOR WIPER PLATE	1
105	6020001-00000		WIPER SPRING FOR WIPER PLATE	1
106	6020001-00000		WIPER SPRING FOR WIPER PLATE	1
107	6020001-00000		WIPER SPRING FOR WIPER PLATE	1
108	6020001-00000		WIPER SPRING FOR WIPER PLATE	1
109	6020001-00000		WIPER SPRING FOR WIPER PLATE	1
110	6020001-00000		WIPER SPRING FOR WIPER PLATE	1
111	6020001-00000		WIPER SPRING FOR WIPER PLATE	1
112	6020001-00000		WIPER SPRING FOR WIPER PLATE	1
113	6020001-00000		WIPER SPRING FOR WIPER PLATE	1
114	6020001-00000		WIPER SPRING FOR WIPER PLATE	1
115	6020001-00000		WIPER SPRING FOR WIPER PLATE	1
116	6020001-00000		WIPER SPRING FOR WIPER PLATE	1
117	6020001-00000		WIPER SPRING FOR WIPER PLATE	1
118	6020001-00000		WIPER SPRING FOR WIPER PLATE	1
119	6020001-00000		WIPER SPRING FOR WIPER PLATE	1
120	6020001-00000		WIPER SPRING FOR WIPER PLATE	1
121	6020001-00000		WIPER SPRING FOR WIPER PLATE	1
122	6020001-00000		WIPER SPRING FOR WIPER PLATE	1
123	6020001-00000		WIPER SPRING FOR WIPER PLATE	1
124	6020001-00000		WIPER SPRING FOR WIPER PLATE	1
125	6020001-00000		WIPER SPRING FOR WIPER PLATE	1
126	6020001-00000		WIPER SPRING FOR WIPER PLATE	1
127	6020001-00000		WIPER SPRING FOR WIPER PLATE	1
128	6020001-00000		WIPER SPRING FOR WIPER PLATE	1
129	6020001-00000		WIPER SPRING FOR WIPER PLATE	1
130	6020001-00000		WIPER SPRING FOR WIPER PLATE	1
131	6020001-00000		WIPER SPRING FOR WIPER PLATE	1
132	6020001-00000		WIPER SPRING FOR WIPER PLATE	1
133	6020001-00000		WIPER SPRING FOR WIPER PLATE	1
134	6020001-00000		WIPER SPRING FOR WIPER PLATE	1
135	6020001-00000		WIPER SPRING FOR WIPER PLATE	1
136	6020001-00000		WIPER SPRING FOR WIPER PLATE	1
137	6020001-00000		WIPER SPRING FOR WIPER PLATE	1
138	6020001-00000		WIPER SPRING FOR WIPER PLATE	1
139	6020001-00000		WIPER SPRING FOR WIPER PLATE	1
140	6020001-00000		WIPER SPRING FOR WIPER PLATE	1
141	6020001-00000		WIPER SPRING FOR WIPER PLATE	1
142	6020001-00000		WIPER SPRING FOR WIPER PLATE	1
143	6020001-00000		WIPER SPRING FOR WIPER PLATE	1
144	6020001-00000		WIPER SPRING FOR WIPER PLATE	1
145	6020001-00000		WIPER SPRING FOR WIPER PLATE	1
146	6020001-00000		WIPER SPRING FOR WIPER PLATE	1
147	6020001-00000		WIPER SPRING FOR WIPER PLATE	1
148	6020001-00000		WIPER SPRING FOR WIPER PLATE	1
149	6020001-00000		WIPER SPRING FOR WIPER PLATE	1
150	6020001-00000		WIPER SPRING FOR WIPER PLATE	1
151	6020001-00000		WIPER SPRING FOR WIPER PLATE	1
152	6020001-00000		WIPER SPRING FOR WIPER PLATE	1
153	6020001-00000		WIPER SPRING FOR WIPER PLATE	1
154	6020001-00000		WIPER SPRING FOR WIPER PLATE	1
155	6020001-00000		WIPER SPRING FOR WIPER PLATE	1
156	6020001-00000		WIPER SPRING FOR WIPER PLATE	1
157	6020001-00000		WIPER SPRING FOR WIPER PLATE	1
158	6020001-00000		WIPER SPRING FOR WIPER PLATE	1
159	6020001-00000		WIPER SPRING FOR WIPER PLATE	1
160	6020001-00000		WIPER SPRING FOR WIPER PLATE	1
161	6020001-00000		WIPER SPRING FOR WIPER PLATE	1
162	6020001-00000		WIPER SPRING FOR WIPER PLATE	1
163	6020001-00000		WIPER SPRING FOR WIPER PLATE	1
164	6020001-00000		WIPER SPRING FOR WIPER PLATE	1
165	6020001-00000		WIPER SPRING FOR WIPER PLATE	1
166	6020001-00000		WIPER SPRING FOR WIPER PLATE	1
167	6020001-00000		WIPER SPRING FOR WIPER PLATE	1
168	6020001-00000		WIPER SPRING FOR WIPER PLATE	1
169	6020001-00000		WIPER SPRING FOR WIPER PLATE	1
170	6020001-00000		WIPER SPRING FOR WIPER PLATE	1
171	6020001-00000		WIPER SPRING FOR WIPER PLATE	1
172	6020001-00000		WIPER SPRING FOR WIPER PLATE	1
173	6020001-00000		WIPER SPRING FOR WIPER PLATE	1
174	6020001-00000		WIPER SPRING FOR WIPER PLATE	1
175	6020001-00000		WIPER SPRING FOR WIPER PLATE	1
176	6020001-00000		WIPER SPRING FOR WIPER PLATE	1
177	6020001-00000		WIPER SPRING FOR WIPER PLATE	1
178	6020001-00000		WIPER SPRING FOR WIPER PLATE	1
179	6020001-00000		WIPER SPRING FOR WIPER PLATE	1
180	6020001-00000		WIPER SPRING FOR WIPER PLATE	1
181	6020001-00000		WIPER SPRING FOR WIPER PLATE	1
182	6020001-00000		WIPER SPRING FOR WIPER PLATE	1
183	6020001-00000		WIPER SPRING FOR WIPER PLATE	1
184	6020001-00000		WIPER SPRING FOR WIPER PLATE	1
185	6020001-00000		WIPER SPRING FOR WIPER PLATE	1
186	6020001-00000		WIPER SPRING FOR WIPER PLATE	1
187	6020001-00000		WIPER SPRING FOR WIPER PLATE	1
188	6020001-00000		WIPER SPRING FOR WIPER PLATE	1
189	6020001-00000		WIPER SPRING FOR WIPER PLATE	1
190	6020001-00000		WIPER SPRING FOR WIPER PLATE	1
191	6020001-00000		WIPER SPRING FOR WIPER PLATE	1
192	6020001-00000		WIPER SPRING FOR WIPER PLATE	1
193	6020001-00000		WIPER SPRING FOR WIPER PLATE	1
194	6020001-00000		WIPER SPRING FOR WIPER PLATE	1
195	6020001-00000		WIPER SPRING FOR WIPER PLATE	1
196	6020001-00000		WIPER SPRING FOR WIPER PLATE	1
197	6020001-00000		WIPER SPRING FOR WIPER PLATE	1
198	6020001-00000		WIPER SPRING FOR WIPER PLATE	1
199	6020001-00000		WIPER SPRING FOR WIPER PLATE	1
200	6020001-00000		WIPER SPRING FOR WIPER PLATE	1

KG390GETi(EPA)(CARB)



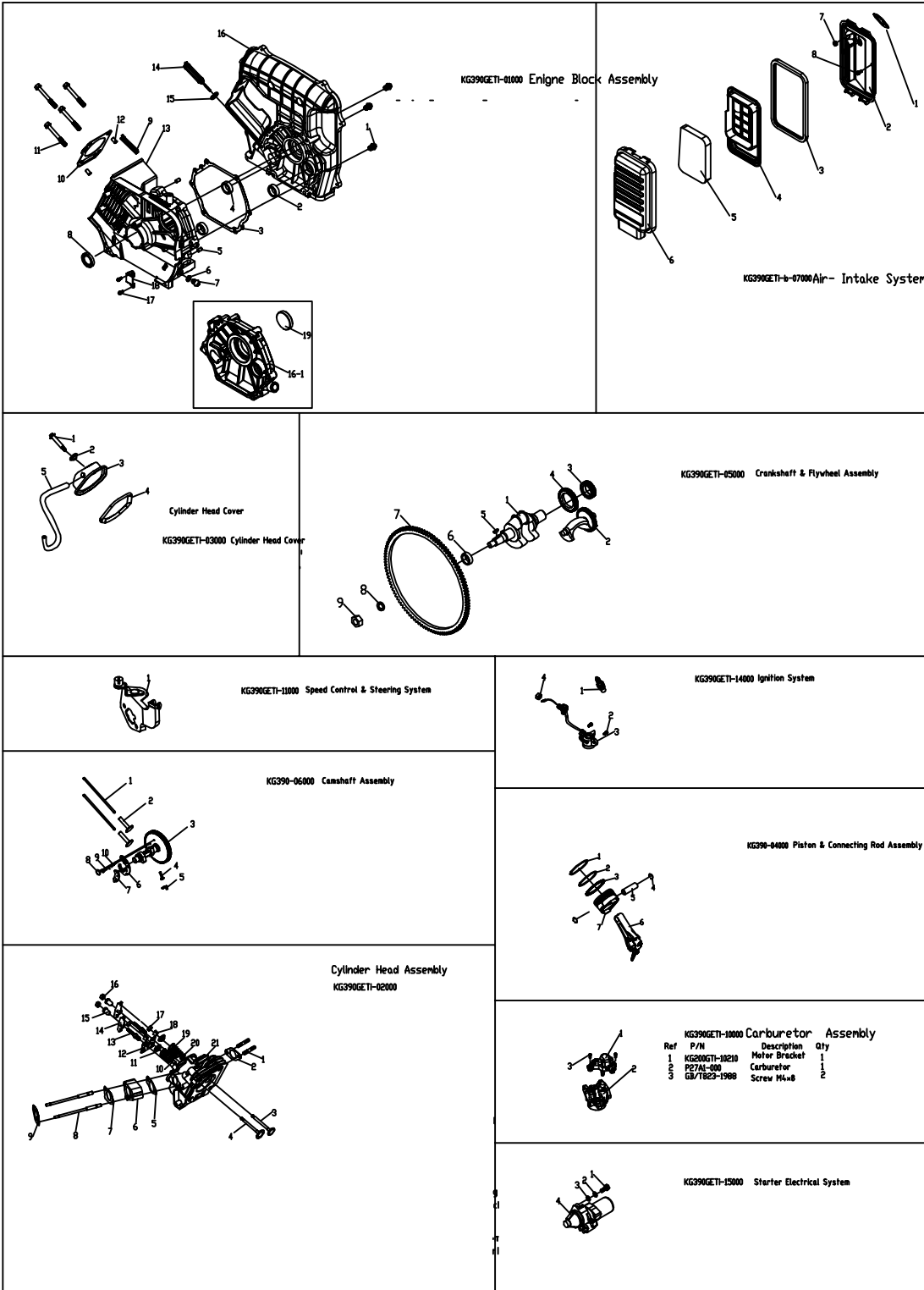
Tightening Torque Table For Major Bolt and Nut

(Unit : N.m)

Ref	Description	Torque
①	Connecting Rod Bolt	20-22
②	Flywheel Nut	130-150
③	Crankcase Cover Bolt	20-23
④	Cylinder Head Bolt	42-46
⑤	Rocker Shaft Bolt	20-23

Fast Wearing Parts

Ref	Kipor Part No.	NTP No.	Description	Qty
A	KG160-01016	48-0926	Dipstick Gasket	1
B	KM168F-10008	48-1056	Oil Drain Plug Gasket	1
C	KG340-01017		Oil Seal	1
D	GB/T275-1994		Roller Bearing 6202	1
E	GB/T275-1994		Roller Bearing 6207	2
F	KG240-02015	48-1013	Exhaust Pipe Gasket	1
G	KG340-02014	48-0787	Intake Pipe Gasket	1
H	KG340-02021	48-0788	Carburetor Gasket A	1
I	KG240GX-02023	48-0785	Carburetor Gasket B	1
J	KG390-04100T		Piston Ring Set	1
K	GB/T276-1994		Roller Bearing	1
L	KG240GX-07002	48-0990	Air Filter Element	1
M	KG240-07004	48-1015	Intake Gasket	1
N	WR7DC	48-0999	Spark Plug	1



KG390 GETi 1				
No.	Part No.	NTP Number	Description	Qty.
KG390GETi-01000 Engine Block Assembly				
1	GB/T5789-1986		Bolt M8X30	7
2	GB/T276-1994		Roller Bearing 6202	2
3	KG340-01005		Crankcase Cover Gasket	1
4	GB/T276-1994		Roller Bearing 6207	1
5	KG160-01011		Crankcase Cover Location Pin	2
6	KM168F-10008	48-1056	Oil Drain Plug Gasket	2
7	KG240-01007	48-1012	Oil Drain Plug	2
8	KG340-01017		Oil Seal	2
9	KG390GETi-01021		Seal Gasket	1
10	KG390-01004		Cylinder Head Gasket	1
11	KG240-01003		Cylinder Head Bolt	4
12	KG240-01012		Cylinder Head Location Pin	2
13	KG390GETi-01001		Engine Block	1
14	KG205GETi-01015	48-0945	Dipstick	1
15	KG160-01016	48-0926	Dipstick Gasket	1
16	KG390GETi-01006		Crankcase Cover	1
17	GB/T5789-1986		Bolt M6X12	2
18	KG390GETi-01022		Wire pressing plate	1
KG390GEXi-01000 Crankcase Cover Assembly				
16--1	KG390GEXi-01006		Crankcase Cover	1
19	KG390GEXi-01023		Closed End Face Cover	1
KG390GETi-02000 Cylinder head assembly				
1	KG240-02017		Exhaust Pipe Stud	2
2	KG240-02015		Exhaust Pipe Gasket	1
3	KG670-02005		Exhaust Valve	1
4	KG670-02004		Intake Valve	1
5	KG340-02014		Intake Pipe Gasket	1
6	KG390GETi-02017	48-1016	Carburetor Insulation Block	1
7	KG340-02021	48-0788	Carburetor Gasket A	1

8	KG340-02016		Intake Pipe Stud	2
9	KG390GETi-02023	48-1017	Carburetor Gasket B	1
10	KG240-02012		Intake Valve Guiding Pipe Oil Seal	1
11	KG186F-02002a		Valve Spring Seat	1
12	KG240-02011		Push Rod Guiding Plate	1
13	KG670-02007		Rocker Arm Shaft Bolt	2
14	KG670-02009		Valve Rocker Arm	2
15	KG160-02008		Rocker Arm Shaft	2
16	KG160-02016		Rocker Arm Shaft Adjusting Bolt	2
17	KG670-02003		Valve Adjusting Gasket Block	2
18	KG670-02001		Valve Cotter	2
19	KG240-02006		Valve Spring	2
20	KG240-02013		Exhaust Valve Spring Bottom Seat	1
21	KG340-02100		Cylinder Head Mechanism Part	1
KG390GETi-b-07000 Intake Assembly				
1	KG240-07004	48-1015	Carburetor Back Up Ring	1
2	KG390GETi-b-07200		Air Filter Shell	1
4	KG390GETi-07003		Filter Element Fixing Bracket	1
6	KG390GETi-07002	48-1019	Air Filter Cover	1
3	KG390GETi-07004		Seal Gasket	1
5	KG240GX-07002	48-0990	Filter Element	1
7	GB/T6177.1-2000		Nut M6	2
8	GB/T5789-1986		Bolt M6*12	1
KG390GETi-03000 Valve Cover Assembly				
1	KG240-03003		Valve Cover Bolt	1
2	KG240-03004	48-1014	Valve Cover Bolt Washer	1
3	KG240-03100	48-0954	Cylinder Head Cover	1
4	KG240-03001	48-0953	Valve Cover Gasket	1
5	KG390GETi-03002	48-1018	Vent Pipe	1
KG390GETi-05000 Crankshaft Assembly				
1	KG390GETi-05001		Crankshaft	1

2	KG340-05005		Balance Shaft	1
3	KG340-05002		Crankshaft Timing Gear	1
4	KG340-05003		Balance Shaft Dricving Geae	1
5	GB/T1096-2003		Key 5*14	1
6	GB/T276-1994		Rolling Bearing 6207	1
7	KM186FAGETi-05102		Flywheel Tooth Ring	1
8	KM186F-05002		Flywheel Nut	1
9	KM186F-05003		Flywheel Nut Back Up Ring	1

KG390GETi-11000 Speed Control System

1	KG390GETi-11000	48-1021	Choke Assembly	1

KG390GETi-14000 Ignition Assembly

1	WR7DC	48-0999	Spark Plug WR7DC	1
2	GB/T5789-1986		Bolt M6*16	2
3	KG240-14300	48-0958	Oil Alert	1
4	GB/T6177.1-2000		Nut M10	1

KG390-06000 Camshaft Assembly

1	KG340-06002		Valve Push Rod	2
2	KG240-06001		Valve Tappet	2
3	KG390-06108		Camshaft	1
4	KG240-06106		Pin,Gearshift Fork	1
5	KG240-06107		Gearshift Fork	1
6	KG240-06101		Swinging Arm	1
7	KG240-06105		Pressure Regulators Centrifugal Block	1
8	KG240-06104		Swinging Arm Pin	1
9	KG240-06102		Pressure Reducing Spring Pin	1
10	KG160-06103		Extension Spring	1
oa				

KG390-04000 Piston and Connection Rod Assembly

1	KG390-04001		1st Compression Ring	1
2	KG390-04002		2nd Compression Ring	1
3	KG390-04100		Oil Ring	1

4	KG340-04005		Retainning Ring	2
5	KG340-04004		Piston Pin	1
6	KG340-04200		Connecting Rod	1
7	KG390-04003		Piston	1
KG390GETi-10000 Carburetor Assembly				
1	KG200GTi-10210		Motor Bracket	1
2	P27A1-000	48-1058	Carburetor	1
	P27A3-015A	48-0996	High Altitude Jet	1
	P27A3-300	48-1061	Carburetor Solenoid	1
3	GB/T823-1988		Screw M4*8	2
KG390GETi-15000 Starter Motor Assembly				
1	GB/T5783-2000		Bolt M10*30	2
2	GB/T93-1987		Back Up Ring10	2
3	GB/T97.1-2002		Back Up Ring10	2
4	KM186FE-15100	48-1057	Starter Motor	1