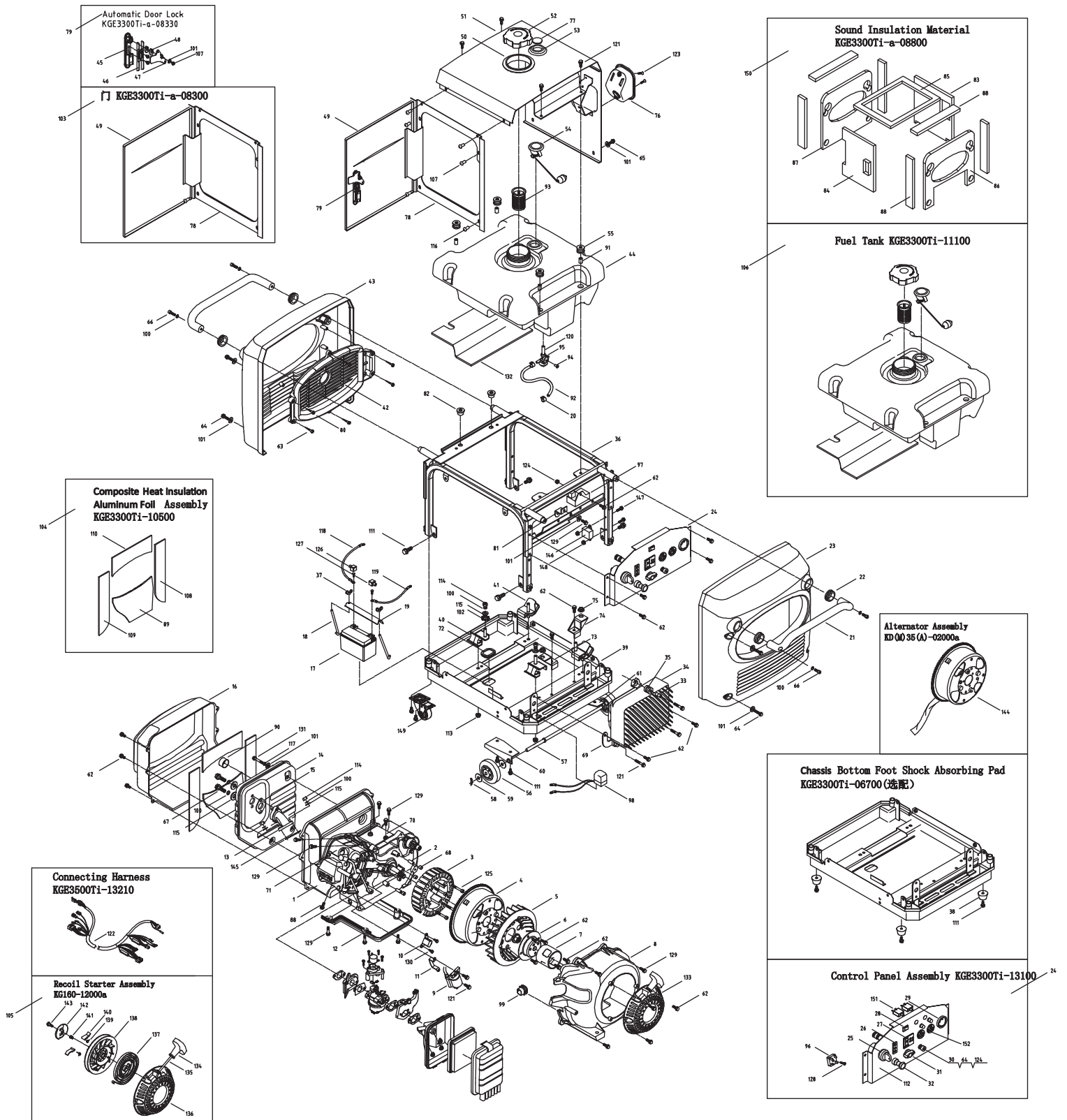
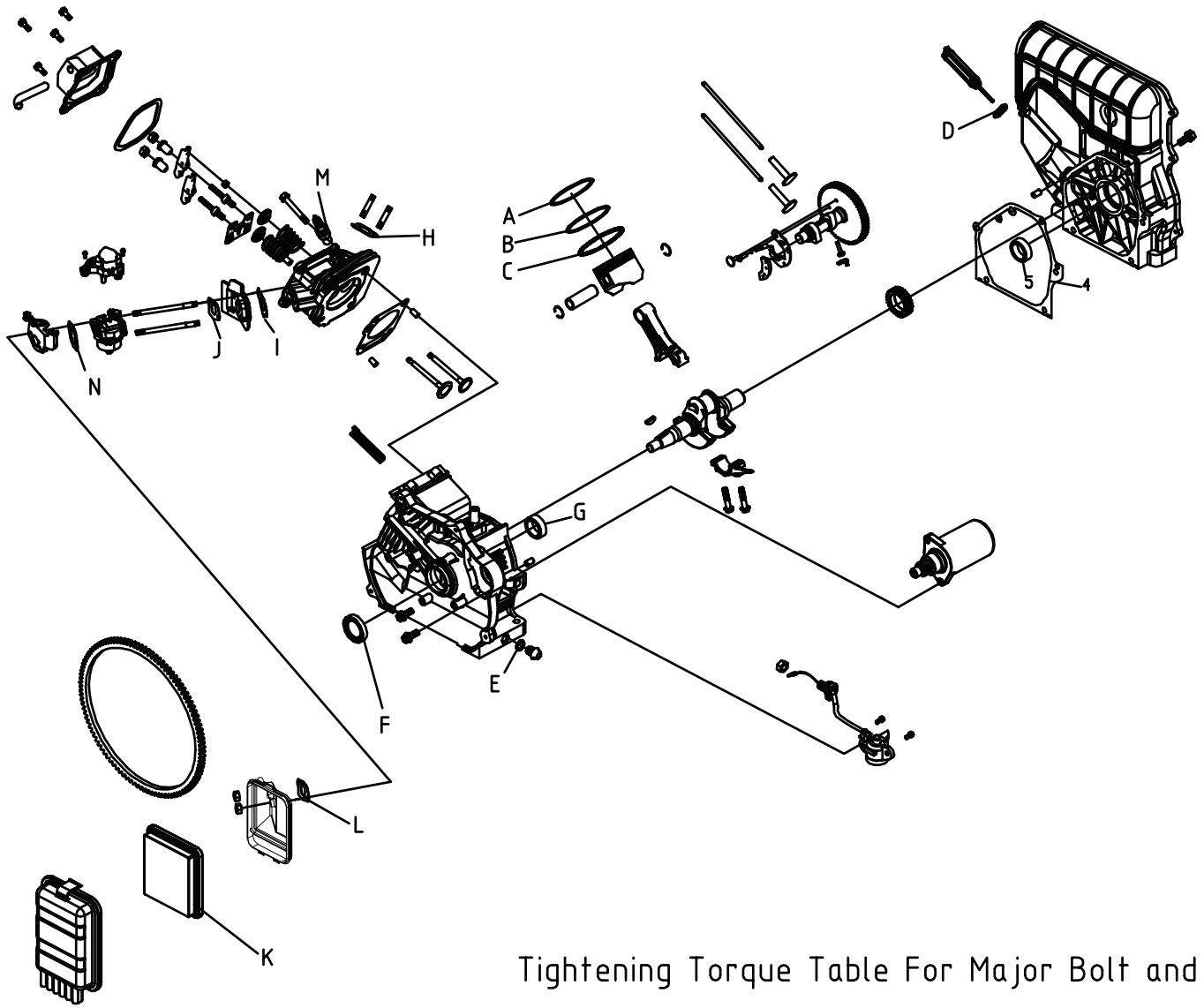


IG3000 (EPA)



CARR H3000 Parts List				
No.	Part No.	NTP No.	Description	Qty.
1	GE2056711-0000	48-0783	Gasoline Engine- CARR	1
2	GE4M3041-0220	48-0800	Stator Location Pin I	2
3	GE4M3041-0230	48-0800	Stator Assembly	1
4	GE4M3041-0230	48-0846	Rotor Assembly	1
5	GE130071-0501	48-0846	Fan	1
6	GE130071-0501	48-0846	Claw Gird	1
7	GE130071-0501	48-0846	Claw Wheel	1
8	GE130071-0400	48-0871	Alternator Fan	2
9	GE130071-1130	48-0871	Ignition Coil	1
10	GE130071-1300	48-0872	Trigger	1
11	GE1762-2000	48-0863	Cross M&K20	1
12	GE130071-0210	48-0863	Cylinder Bottom Cover	1
13	GE130071-0201	48-0863	Muffler Elbow	1
14	GE130071-0200	48-0860	Muffler Assembly	1
15	GE130071-0200	48-0864	Canister A	1
16	GE130071-0210	48-0862	Muffler Cover	1
17	1708-4	48-0874	Battery 12V/8AH	1
18	GE130071-1700	48-0874	Battery Tightening Bolt	2
19	GE130071-1300	48-0873	Battery Hold Down Plate	1
20	GE1762-1999	48-0851	Clamp 8-12	2
21	GE130071-0820-100	48-0851	Handle	2
22	GE130071-0820	48-0862	Handle Rubber Sheath	4
23	GE130071-0820	48-0863	Mount Cover	2
24	GE3000/SA-1310	48-0766	Control Panel Assembly	1
25	8437A	48-0766	Ignition Switch	1
26	8437A-30	48-0760	Ignition Module 2.6,3.4,3.6	1
27	ME22-1	48-0761	DC Receptacle/DC22V 3A	1
28	14-1003-882	48-0760	Smart throttle valve	1
29	LS-30	48-0764	AC Receptacle	1
30	307-4F-0064	48-0760	Ground Nut M6	1
31	GE130071-1100	48-0867	Judge	1
32	GE130071-1100	48-0861	Choke Cable	1
33	GE130071-1100	48-0861	Knocking	3
34	GE130071-1100	48-0734	Inverter module	1
35	GE130071-1100	48-0867	Shock Absorbing Pad	3
36	GE130071-1100	48-0867	Frame	1
37	GE1762-1988	48-0847	Wing Nut M6	2
38	GE130071-0670	48-0847	Absorbing Pad	4
39	GE130071-0300	48-0861	Chassis	1
40	GE130071-0210	48-0869	Shock Absorbing Pad II	1
41	GE130071-1100	48-0870	Shock Absorbing Pad II	2
42	GE130071-0860	48-0855	Exhaust Panel	1
43	GE130071-0801	48-0854	Rear Cover	1
44	GE130071-1100	48-0861	Fuel Tank	1
45	GE4M3041-0230	48-0772	Alternator Assembly	1
46	GE160-0204	48-0779	Exhaust Pipe Gasket	1
47	GE1762-1986	48-0775	Bolt M6x18	2
48	GE105-0-0800	48-0775	Secondary Air Injection Valve	1
49	GE130071-0830	48-0861	Control Door	1
50	GE130071-0818	48-0861	Fuel Tank Entrance Strain	1
51	GE130071-0810	48-0865	Flare Assembly	1
52	GE130071-1100	48-0865	Fuel Cap	1
53	GE130071-0810	48-0848	Start Clean Mount	1
54	GE130071-1100	48-0866	Fuel Indicator	1
55	GE130071-1100	48-0866	Fuel Tank Elastic Cushion	4
56	GE130071-1100	48-0727	Wheel	2
57	GE130071-1100	48-0862	Case	1
58	GE1762-1999	48-0807	Lock Pin 12	2
59	GE1762-2002	48-0736	Wheel Washer 12	4
60	GE130071-0400	48-0804	Right Support Plate	1
61	GE130071-0400	48-0805	Left Support Plate	1
62	GE1762-2000	48-0805	Hexagon Flange Bolt M6x12	20
63	GE1762-1985	48-0805	Cross Recepted Pan Head Screw Tapping ST-4 BX18	6
64	GE1762-2000	48-0805	Hexagon Flange Bolt M6x25	9
65	GE1762-2000	48-0805	Hexagon Flange Bolt M6x26	3
66	GE1762-1-2000	48-0805	Hexagon Socket Head Cap Screw M6x20	4
67	GE1762-2000	48-0805	Hexagon Flange Bolt M6x20	2
68	GE4M3041-0220	48-0805	Stator Location Pin II	4
69	GE130071-0300	48-0805	Indicia Connecting Plate	1
70	GE130071-0300	48-0805	Air Deflector	1
71	GE130071-0210	48-0805	Cylinder Head Wind Drawing Plate	1
72	GE130071-0300	48-0805	Cylinder Head Wind Drawing Plate	1
73	GE130071-0300	48-0805	Shock Absorbing Pad Pressure Pad 1	1
74	GE130071-0300	48-0805	Shock Absorbing Pad Pressure Pad 2	1
75	GE1008-1003	48-0805	Small Fuel Tank Shock Absorbing Pad	2
76	GE130071-0810	48-0805	Fuel Starter Strain	1
77	GE130071-0810	48-0805	Fuel Sight Glass	1
78	GE130071-0810	48-0805	Service Door Frame	1
79	GE130071-0810	48-0805	Automatic Door Lock	1
80	GE130071-0810	48-0805	Exhaust Window Seal	1
81	GE130071-0810	48-0805	Connecting Boreing Plate	2
82	GE130071-0810	48-0805	Exhaust Window Gasket	1
83	GE130071-0810	48-0807	Left Side Insulation	1
84	GE130071-0810	48-0807	Service Door Insulation	1
85	GE130071-0810	48-0808	Top Cover Insulation	1
86	GE130071-0810	48-0809	Front Panel Insulation	1
87	GE130071-0810	48-0860	Rear Panel Insulation	1
88	GE130071-0810	48-0861	End Panel Insulation	6
89	GE130071-0810	48-0861	Composite Heat Insulation Aluminum Fall (1)	1
90	GE130071-0810	48-0861	Fuel Indicator	1
91	GE130071-1100	48-0882	Fuel Tank Spring Washer Casing Pipe	4
92	GE130071-1100	48-0884	Fuel Supply Filter Net	1
93	GE130071-1100	48-0884	Fuel Supply Filter Net	1
94	GE130071-1100	48-0884	Fuel Supply Filter Net	1
95	GE130071-1100	48-0888	Fuel Valve Assembly	1
96	84PC210	48-0769	Noctifier	1
97	SPC044/NYC044H	48-0730	Starting Relay	1
98	GE130071-1100	48-0730	Starting Relay	1
99	GE130071-1100	48-0730	Bus Seal Ring	1
100	GE1762-1987	48-0730	Elastic Back Up Ring 8	12
101	GE1762-1-2002	48-0730	Large Back Up Ring 6	14
102	GE1762-2-1987	48-0730	Composite Heat Insulation Aluminum Fall 8	1
103	GE130071-0200	48-0730	Door	1
104	GE130071-0200	48-0730	Composite Heat Insulation Aluminum Fall	1
105	FE74	48-0730	Overload Reset Switch	2
106	GE130071-1110	48-0730	Fuel Tank	1
107	GE1762-2000	48-0730	Cross Recepted Pan Head Screw M6x20	6
108	GE130071-0200	48-0730	Composite Heat Insulation Aluminum Fall(2)	1
109	GE130071-0200	48-0730	Composite Heat Insulation Aluminum Fall (3)	1
110	GE130071-0200	48-0730	Composite Heat Insulation Aluminum Fall (4)	1
111	GE130071-0200	48-0730	Composite Heat Insulation Aluminum Fall (5)	1
112	GE130071-0200	48-0730	Hexagon Flange Bolt M6x26	16
113	GE130071-0200	48-0730	Control Panel	1
114	GE1762-1-2000	48-0730	Hexagon Flange Nut M6	4
115	GE1762-2000	48-0730	Nut M6	6
116	GE1762-2000	48-0730	Back Up Ring 8	8
117	GE1762-2000	48-0730	Cross Recepted Pan Head Screw M6x15	2
118	GE1762-1987	48-0730	Elastic Back Up Ring 6	1
119	480100back	48-0730	Battery W/Wel/Wel/Wel	1
120	480100back	48-0730	Battery W/Wel/Wel/Wel	1
121	GE130071-1140	48-0730	Long Filter Net and Element With Square Handle	1
122	GE130071-1140	48-0730	Hexagonal Bolt M6*25	9
123	GE130071-1140	48-0730	Connecting Harness	1
124	GE1762-2000	48-0730	Hexagon Nut	2
125	GE1762-1-2000	48-0730	Hexagon Flange Nut M6	2
126	GE1762-1-2000	48-0730	Hexagon Flange Nut M6	4
127	GE130071-1700	48-0730	Battery Wire Sheath(Back)	1
128	GE130071-1700	48-0730	Battery Wire Sheath(Front)	1
129	GE1762-2000	48-0730	Cross Recepted Pan Head Screw M6x20	1
130	GE1762-2000	48-0730	Hexagon Flange Bolt M6x18	14
131	GE1762-1986	48-0730	Bolt M6*12	4
132	GE1762-1987	48-0730	Hexagon Flange Bolt M6x20	1
133	GE130071-1100	48-0730	Fuel Tank Composite Heat Insulation Aluminum Fall	1
134	GE100-12000	48-0730	Recall Starter Assembly	1
135	11-063-018	48-0722	Locking Serbel Wheel	2
136	GE130071-0880	48-0722	Sound Insulation Material	2
137	4-008	48-0726	AC Receptacle	2
138	8437A-1	48-0727	Replacement Key G3000	1
139	GE1762-1986	48-0727	Bolt M6x16	8
140	GE130071-1130	48-0727	Ignition Coil Bracket	1
141	GE130071-0800	48-0863	Ground Wheel	1
142	GE130071-1101	48-0888	Carbon Canister/Bolt/Clut	1
143	GE130071-1101	48-0886	Air Hose	1
144	GE130071-0822	48-0879	Carbon Canister Support	1
145	GE130071-1100	48-0881	Fuel Tank Ventilation Hose	1
146	GE130071-1101	48-0887	Carbon Canister Sub-Pressure Head	1
147	GE2056711-07001	48-0902	Air Filter Bottom Cover	1
148	GE2056711-07001	48-0902	Air Filter Bottom Cover	1
149	GE1762-1-2000	48-0889	Hexagon Flange Nut M6	2
150	GE2056711-07001	48-0889	Filter Element	1
151	GE2056711-07002	48-0889	Air Filter Cover	1
152	GE2056711-07001	48-0889	Air Filter Shell	1
153	GE105-0-0801	48-0902	Secondary Air Injection Valve Gasket	1

KG205GETi(EPA)(CARB)



Tightening Torque Table For Major Bolt and Nut

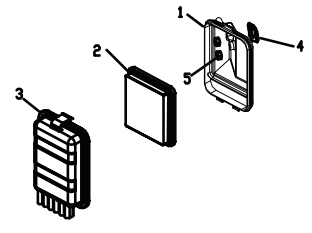
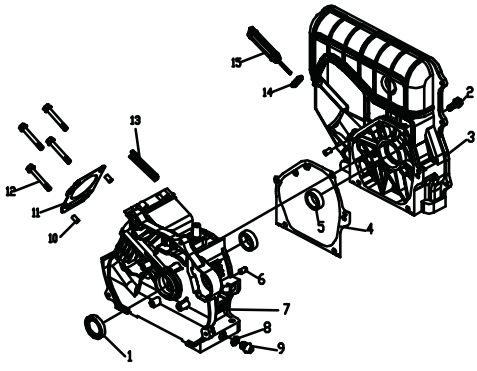
(Unit: N.M)

Ref	Description	Torque
①	Connecting Rod Bolt	14-16
②	Flywheel Nut	80-90
③	Crankcase Cover Bolt	20-23
④	Cylinder Head Bolt	28-32
⑤	Rocker Shaft Bolt	20-23

Consumable Parts

REF No.	Mfg No.	NTP No.	Description	Qty.
A	KG160-04001		1st Compression Ring	1
B	KG160-04002		2nd Compression Ring	1
C	KG160-04003		Oil Ring	1
D	KG160-01016	48-0926	Oil Dipstick Washer	1
E	KG160-01008	48-0925	Oil Drain Plug Washer	1
F	KG160-01017		Oil Seal	1
G	GB/T276-1994		Roller Bearing 6205	2
H	KG160-02014	48-0779	Exhaust Pipe Gasket	1
I	KG160-02013	48-0927	Air Inlet Gasket	1
J	KG240-02021	48-0952	Carburetor Gasket A	1
K	KG200GTi-07100	48-0989	Air Filter Element	1
L	KG160-07007	48-0932	Carburetor Gasket	1
M	WR7DC	48-0299	Spark Plug	1
N	KG200GTi-02019	48-0943	Carburetor Gasket B	1

KG205GETI-01000 Engine Block

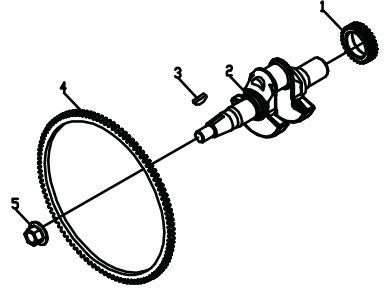


KG205GETI-b-07000 Air- Intake System

KG205GETI-03000 Cylinder Head Cover



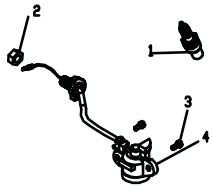
KG205GETI-05000 Crankshaft Assembly



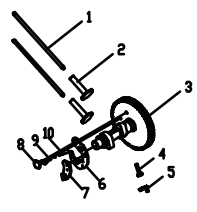
KG200GTI-11000 Speed Control & Steering System



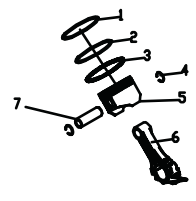
KG205GETI-14000 Ignition System



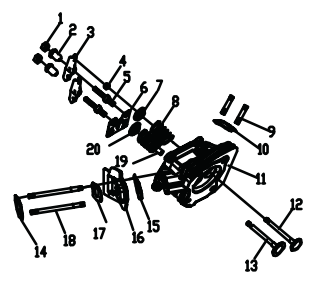
KG200-06000 Camshaft Assembly



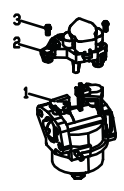
KG160-04000 Piston & Connecting Rod Assembly



KG205GETI-02000 Cylinder Head Assembly



KG200GTI-10000 Carburetor Assembly



KG205GETI-15000 Starting Motor System



No.	Part No.	NTP No.	Description	Qty.
Engine Block Assembly KG205GETi-01000				
1	KG160-01017	48-0934	Oil Seal	1
2	GB/T5789-1986		Bolt M8X30	6
3	KG205GETi-01006		Crankcase Cover	1
4	KG205GETi-01005		Crankcase Cover Gasket	1
5	GB/T276-1994		Rolling Bearing 6205	2
6	KG160-01011		Crankcase Cover Location Pin	2
7	KG205GETi-01001		Engine Block	1
8	KG160-01008	48-0925	Oil Drain Plug Gasket	1
9	KG160-01007	48-0924	Oil Drain Plug	1
10	KG160-01012		Cylinder Head Location Pin	2
11	KG160-01004		Cylinder Head Gasket	1
12	KG160-01003		Cylinder Head Bolt	4
13	KG205GETi-01019		Seal Gasket	1
14	KG160-01016	48-0926	Oil Level Gauge Gasket	1
15	KG205GETi-01015	48-0945	Oil Level Gauge	1
Air- Intake System KG205GETi-b-07000				
1	KG205GETi-b-07001		Air Filter Shell	1
2	KG200GTi-07100	48-0989	Filter Element	1
3	KG205GETi-07002	48-0948	Air Filter Cover	1
4	KG160-07007	48-0932	Intake Gasket	1
5	GB/T6177.1-2000		Nut M6	2
KG205GETi-03000 Cylinder Head Cover				
1	GB/T5789-1986		Bolt M6X12	4
2	KG160-03101a	48-0930	Cylinder Head Cover	1
3	KG160-03002a	48-0931	Cylinder Head Cover Gasket	1
4	KG205GETi-03001	48-0947	Vent Pipe	1
Crankshaft Assembly KG205GETi-05000				
1	KG205GETi-05002		Crankshaft Timing Gear	1

2	KG200GTi-05001		Crankshaft	1
3	KG160-05007		Key	1
4	KG205GETi-05105		Flywheel Tooth Ring	1
5	KG160-05004		Flywheel Nut	1
Speed Control & Steering System KG200GTi-11000				
1	KG200GTi-11000	48-0944	Choke Assembly	1
Electrical System KG205GETi-14000				
1	WR7DC	48-0999	Spark Plug	1
2	GB/T6177.1-2000		Nut M10	1
3	GB/T5789-1986		Bolt M6*16	2
4	KG160-14300	48-0933	Oil Alert	1
Camshaft Assembly KG200-06000				
1	KG160-06002		Valve Push Rod	2
2	KG200-06001		Valve Tappet	2
3	KG200-06108		Camshaft	1
4	KG160-06106		Pin,Gearshift Fork	1
5	KG160-06107		Gearshift Fork	1
6	KG160-06101		Swinging Arm	1
7	KG160-06105		Pressure Regulators Centrifugal Block	1
8	KG160-06104		Swinging Arm Pin	1
9	KG160-06102		Pressure Reducing Spring Pin	1
10	KG160-06103		Extension Spring	1
Piston & Connecting Rod Assembly KG160-04000				
1	KG160-04001		1st Compression Ring	1
2	KG160-04002		2nd Compression Ring	1
3	KG160-04100		Oil Ring	1
4	KG160-04005		Retaining Ring	2
5	KG160-04003		Piston	1
6	KG160-04200		Connecting Rod	1
7	KG160-04004		Piston Pin	1
Cylinder Head Assembly KG205GETi-02000				

1	KG160-02016		Rocker Shaft Adjusting Nut	2
2	KG160-02008		Rocker Shaft	2
3	KG160-02009		Valve Rocker Arm	2
4	KG160-02003		Exhaust Valve Adjusting Cushion Block	1
5	KG160-02007		Rocker Shaft Bolt	2
6	KG205GETi-02011		Push Rod Guiding Plate	1
7	KG160-02002		Exhaust Valve Spring Seat	1
8	KG160-02006		Valve Spring	2
9	GB/T899-1988		Stud M8X20	2
10	KG160-02014	48-0928	Exhaust Pipe Gasket	1
11	KG200-02100		Cylinder Head Mechanism Part	1
12	KG160-02005		Exhaust Valve	1
13	KG160-02004		Intake Valve	1
14	KG200GTi-02019	48-0943	Carburetor Gasket B	1
15	KG160-02013	48-0927	Intake Pipe Gasket	1
16	KG205GETi-02017a	48-0962	Carburetor Insulation Block	1
17	KG160-02018	48-0929	Carburetor Gasket A	1
18	KG160-02015		Intake Pipe Stud	2
19	KG160-02012		Intake Valve Guiding Pipe Oil Seal	1
20	KG160-02001		Intake Valve Spring Seat	1
Carburetor Assembly KG200GTi-10000				
1	P19A1-b-000		Carburetor	1
1a	P19-015A	48-0994	High Altitude Main Jet	
1b	24BYJ24D	48-0724	Stepping Motor	
2	KG200GTi-10210		Motor Bracket	1
3	GB/T823-1988		Screw M4X8	2
Starting Motor System KG205GETi-15000				
1	GB/T5789-1986		Bolt M6X25	2
2	KG205GETi-15100	48-0949	Starting Motor	1