

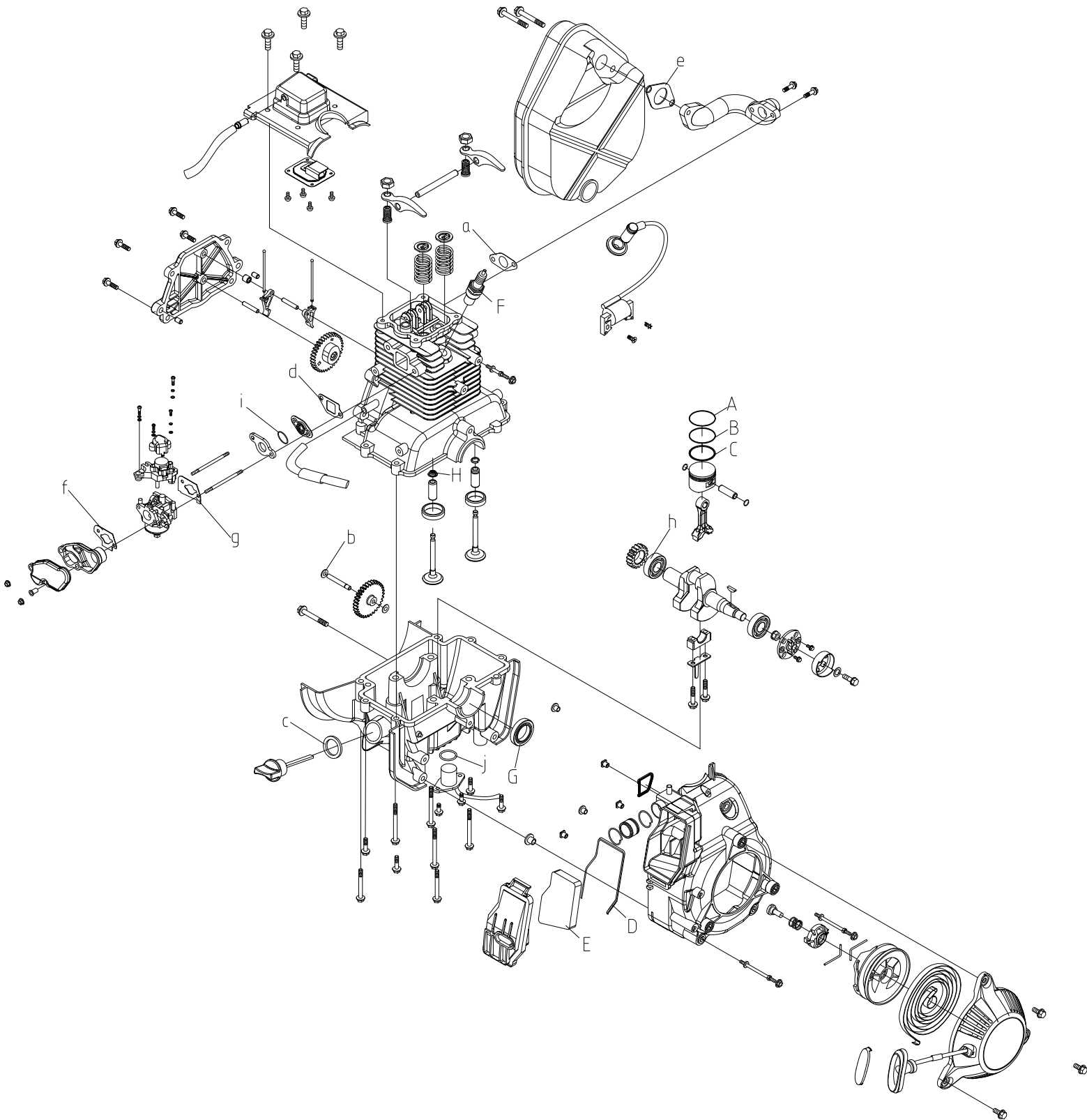
IG1000 PARTS

REF#	KIPOR#	NTP#	DESCRIPTION	QTY	REF#	KIPOR#	NTP#	DESCRIPTION	QTY
1	KGE1000TI-06610	48-0798	Rear Case	1	51	KGE1000TI-06201	48-0793	Service Door	1
2	KGE1000TI-06601	48-0797	Seal Strip of Rear Case	1	52	KGE1000TI-00006	48-0791	Service Door Screw	1
3	KGE3000TI-03008		Insert M5	4	53	KGE3000TI-03017		"Micro Switch Baffle Plate"	1
4	KGE1000TI-06310	48-0794	Right Case	1	54	KW4A-Z6CSF200	48-0902	Micro Switch	1
5	GB/T97.1-2002		Back Up Ring 6	2	55	KGE1000TI-A-04100a		"Engine Fixture"	1
6	GB/T818-2000		"H Type Cross Recessed Pan Head Screw M6X20"	2	56	KGE1000TI-04201b		"Bottom Shock Absorbing Shell"	4
7	KGE1000TI-06401	48-0795	Spark Plug Access Door	1	57	KD(M)10(A)-02200		"Rotor Assembly"	1
8	GB/T97.1-2002		Back Up Ring 4	2	58	IG1000/SIA-13100		"Control Panel Assembly"	1
9	KGE1000TI-07200	48-0805	Fuel Tank Cover	9	59	GB/T93-1987		Elastic Back Up Ring 4"	1
10	KGE1000TI-07009		Protective Sleeve of Fuel Tank Port	1	60	GB/T41-2000		Hexagon Nut M4	2
11	KGE1000TI-06301		"Right Engine Cover Crossed Protection Rack"	1	61	GB/T818-2000		Screw M5X16	4
12	KGE1000TI-00007		Bolt M6*105	2	62	GB/T97.1-2002		Back Up Ring 5	5
13	GB/T818-2000		"H Type Cross Recessed Pan Head Screw M5X25"	2	63	KD(M)10(A)-02000	48-0773	Alternator assembly	1
14	KGE1000TI-06501	48-0796	Front Case	1	64	GB/T818-2000		"H Type Cross Recessed Pan Head Screw M5X20"	1
15	KGE1000TI-A-03011		Air Inlet Deflector	1	65	WZ-Z2-a	48-0911	DC Receptacle(DC12V 5A)	1
16	GB/T818-2000		"H Type Cross Recessed Pan Head Screw M5X10"	5	66	RF-1003-BB2	48-0908	Smart Throttle Switch	1
17	KGE1000TI-07011	48-0802	Inline Fuel Filter	1	67	KGE1000TI-13601	48-0807	Trigger	1
18	KGE1000TI-b-07005	48-0812	Fuel Tank	1	68	GB/T5789-1986		"Hexagon Flange Bolt M5X12"	4
19	KGE1000TI-07004	48-0800	Filter Strainer	1	69	KD(M)10(A)-02001		Fan	1
20	KGE1000TI-07012		Clip Φ10	1	70	KGE1000TI-b-07003	48-0811	Fuel Hose III	2
21	KGE1000TI-b-07001	48-0809	Fuel Hose I	1	71	GB/T96.1-2002		"Back Up Ring 6"	1
22	KGE1000TI-07006		Clip Φ7	3	72	KGE1000TI-A-03021		Exhaust Side Deflector	1
24	GB/T845-1985		"Cross Recessed Pan Head Tapping Screw ST3.8X16-C-H"	6	73	KBPC2510	48-0769	Bridge Rectifier	1
25	KGE1000TI-07300	48-0806	Fuel Switch Assembly	1	74	GB/T93-1987		"Elastic Back Up Ring 6"	2
26	KGE1000TI-b-07002	48-0810	Fuel Hose II	1	75	GB/T41-2000		Hexagon Nut M5	1
27	KD(M)10(A)-02100		"Stator Assembly"	1	76	KI-DHQ-10	48-0898	Three in One Ignition Controller	1
28	KGE1000TI-07007		Clip Φ9	3	77	KG144-b-00000	48-0777	KG144 Gasoline Engine	1
29	GB/T97.1-2002		Washer 4	2	78	GB/T5789-1986		"Hexagon Flange Bolt M5X25"	2
30	KGE1000TI-07100	48-0804	Vacuum Fuel Pump	1	79	KGE1000TI-13301		Electrical Shell	1
31	KGE1000TI-A-03031		Bottom Airway Baffle Plate	1	80	KGE1000TI-07400		Fuel Tank	1
32	KGE1000TI-04204		Bottom Hollow Shaft	1	81	GB/T5789-1986		Hexagon Flange Bolt M5X10	1
33	KGE1000TI-00008		Module Shock Absorbing Pad	2	82	KT5A62		Parallel Output Socket	2
34	DU10(120V/60HZ)-B	48-0731	Inverter Module	1	83	IG2000PS120IA-13404		Receptacle Output Board	1
35	GB/T896-1986		Retaining Ring 9	2	84	GB/T818-2000		Screw M4X10	10
36	GB/T5789-1986		Hexagon Flange Bolt M6X16	3	85	KT5ABD70		Power Line L=1.7M	2
37	KGE1000TI-06001		"Electrical Part Protection Shell"	1	86	IG1000P-13402		Receptacle Cover	1
38	KGE1000TI-00004		Rubber Square Protection Rack	1	87	1263		Receptacle 30A/125V	1
39	GB/T818-2000		"H Type Cross Recessed Pan Head Screw M4X16"	2	88	IG1000P-13401	48-0738	Rear Cover	1
40	KGE1000TI-06101		"Left Engine Cover Crossed Protection Rack"	1	89	IG1000P-13403		"Plastic Protection Ring(Diameter35)"	1
41	KGE1000TI-06110	48-0792	Left Case	1	90	IG2000PS120IA-13400		Parallel Output Assembly	1
42	KGE1000TI-07013	48-0803	"Fuel Indicator"	1	90-1	IG2000PS120IA-13400		Parallel Output Assembly	1
43	KGE1000TI-06700	48-0799	Vibration Isolator	4	91	PE74	48-0906	"Overload Restart Switch"	1
44	GB/T5789-1986		Hexagon Flange Bolt M6X12	4					
45	IG1000/SIA-13110		"Control Panel Stamping"	1					
46	KGE1000TI-07008	48-0801	Fuel Switch Lever	1					
47	KGE1000TI-07304		"Screw"	1					
48	KGE1000TI-06102		Starter handle fixing seat	1					
49	GB/T818-2000		"H Type Cross Recessed Pan Head Screw M5X12"	3					
50	RU-22	48-0909	Duplex Receptacle	1					

CAR IG1000

Ref No.	Part No.	NTP No.	Description	Qty
1	KG1000T-06610	48-0798	Rear Case	1
2	KG1000T-06601	48-0797	Seal Strip of Rear Case	1
3	KG1000T-03008		Insert M5	4
4	KG1000T-06310	48-0794	Right Case	1
5	GB/797.1-2002		Back Up Ring 6	2
6	GB/7818-2000		H Type Cross Recessed Pan Head Screw MSK20	2
7	KG1000T-06401	48-0795	Spark Plug Access Door	1
8	GB/797.1-2002		Back Up Ring 4	2
9	KG1000T-07200	48-0805	Fuel Tank Cover	9
10	KG1000T-07009		Protective Sleeve of Fuel Tank Port	1
11	KG1000T-06301		Right Engine Cover Crossed Protection Rack	1
12	KG1000T-00007		Bolt M6*105	2
13	GB/7818-2000		H Type Cross Recessed Pan Head Screw MSK25	2
14	KG1000T-06501	48-0796	Front Case	1
15	KG1000T-03011		Air Inlet Deflector	1
16	GB/7818-2000		H Type Cross Recessed Pan Head Screw MSX10	5
17	KG1000T-07011	48-0802	Inline Fuel Filter	1
18	KG1000T-07005	48-0812	Fuel Tank	1
19	KG1000T-07004	48-0800	Filter Strainer	1
20	KG1000T-07012		Clip#10	1
21	KG1000T-07001	48-0802	Fuel Hose I	1
22	KG1000T-07006		Clip #7	3
23	GB/75789-1986		Hexagon Flange Bolt M6X12	1
24	GB/7845-1985		Cross Recessed Pan Head Tapping Screw ST3.8X16-C-H	6
25	KG1000T-07300	48-0806	Fuel Switch Assembly	1
26	KG1000T-07002	48-0810	Fuel Hose II	1
27	KDMM10(A)-02100		Stator Assembly	1
28	KG1000T-07007		Clip #9	3
29	GB/797.1-2002		Washer 4	2
30	KG1000T-07100	48-0804	Vacuum Fuel Pump	1
31	KG1000T-03031		Bottom Airway Baffle Plate	1
32	KG1000T-04204		Bottom Hollow Shaft	2
33	KG1000T-00008		Module Shock Absorbing Pad	2
34	DU10(120V/60Hz)-B	48-0731	Inverter Module	1
35	GB/7896-1986		Retaining Ring 8	2
36	GB/75789-1986		Hexagon Flange Bolt M6X16	3
37	KG1000T-06001		Electrical Part Protection Shell	1
38	KG1000T-00004		Rubber Square Protection Rack	1
39	GB/7818-2000		H Type Cross Recessed Pan Head Screw MSX16	2
40	KG1000T-06101		Left Engine Cover Crossed Protection Rack	1
41	KG1000T-06110	48-0792	Left Case	1
42	KG1000T-07013	48-0803	Fuel Indicator	1
43	KG1000T-06700	48-0799	Vibration Isolator	4
44	GB/75789-1986		Hexagon Flange Bolt M6X12	4
45	IG1000S/A-13110		Control Panel Stamping	1
46	KG1000T-07008	48-0801	Fuel Switch Lever	1
47	KG1000T-07304		Screw	1
48	KG1000T-06102		Starter handle being seat	1
49	GB/7818-2000		H Type Cross Recessed Pan Head Screw MSX12	3
50	BU-22	48-0909	Diodes Receptacle	1
51	KG1000T-06201	48-0793	Service Door	1
52	KG1000T-00006	48-0791	Service Door Screw	1
53	KG1000T-03017		Micro Switch Baffle Plate	1
54	KW4A-26CF200	48-0902	Micro Switch	1
55	KG1000T-04100a		Engine Fixture	1
56	KG1000T-04201b		Bottom Shock Absorbing Shell	4
57	KDMM10(A)-02200		Rotor Assembly	1
58	IG1000S/A-13100		Control Panel Assembly	1
59	GB/793-1987		Elastic Back Up Ring d	2
60	GB/741-2000		Hexagon Nut M4	2
61	GB/7818-2000		Screw M5X16	4
62	GB/797.1-2002		Back Up Ring 5	5
63	KDMM10(A)-02000	48-0772	Alternator assembly	1
64	GB/7818-2000		H Type Cross Recessed Pan Head Screw MSK20	1
65	W2-22-a	48-0911	DC Receptacle(DC12V 5A)	1
66	RF-1003-882	48-0908	Smart throttle Switch	1
67	KG1000T-13601	48-0807	Trigger	1
68	GB/75789-1986		Hexagon Flange Bolt M5X12	4
69	KDMM10(A)-02001		Fan	1
70	KG1000T-07003	48-0811	Fuel Hose III	1
71	GB/796.1-2002		Back Up Ring 6	2
72	KG1000T-03021		Exhaust Side Deflector	1
73	K8PC2510	48-0769	Bridge Rectifier	1
74	GB/793-1987		Elastic Back Up Ring 6	2
75	GB/741-2000		Hexagon Nut M5	1
76	KL-DH4-10	48-0898	Three in One Ignition Controller	1
77	KG144-b-00000	48-0777	KG144 Gasoline Engine	1
78	GB/75789-1986		Hexagon Flange Bolt M5X25	2
79	KG1000T-13301		Electrical Shell	1
80	KG1000T-07400		Fuel Tank	1
81	GB/75789-1986		Hexagon Flange Bolt M5X10	1
82	KTS462		Parallel Output Socket	2
83	IG2000PS120(A)-13404		Receptacle Output Board	1
84	GB/7818-2000		Screw M4x10	10
85	KTSAB070		Power Line L=1.7M	2
86	IG1000P-13402		Receptacle Cover	1
87	1263		Receptacle 30A/125V	1
88	IG1000P-13401	48-0738	Rear Cover	1
89	IG1000P-13403		Plastic Protection Ring(Diameter251)	1
90	IG2000PS120(A)-13400		Parallel Output Assembly	1
90-1	IG2000PS120(A)-13400		Parallel Output Assembly	1
91	FE74	48-0906	Overload Restart Switch	1

KG144 (CARB)



Consumable Parts

Ref.	Kipor No.	NTP No.	Description	Qty.
A	KG55-04001		1st Compression Ring	1
B	KG55-04002		2nd Compression Ring	1
C	KG55-4100		Oil Ring	1
D	KG55-07113		Seal Gasket	1
E	KG55-07122	48-0984	Air Filter Element	1
F	UR5	48-0997	Spark Plug	1
G	KG55-01037		Oil Seal	1

Oil Seal

Ref.	Kipor No.	NTP No.	Description	Qty.
H	KG55-01041		Intake Valve Oil Seal	1

Gasket

Ref.	Kipor No.	NTP No.	Description	Qty.
a	KG55-01023	48-0968	Exhaust Gasket	1
b	KG55-01104		Timing Gear Gasket ($\phi 10 \times \phi 4 \times .5$)	1
c	KG240-01016	48-0950	Oil Level Gauge Gasket	1
d	KG55-01018	48-0967	Intake Pipe Gasket	1
e	KG55-08002		Muffler Gasket	1
f	KG55-10003	48-0972	Carburetor Gasket	1
g	KG55-10004	48-0973	Carburetor Gasket A	1

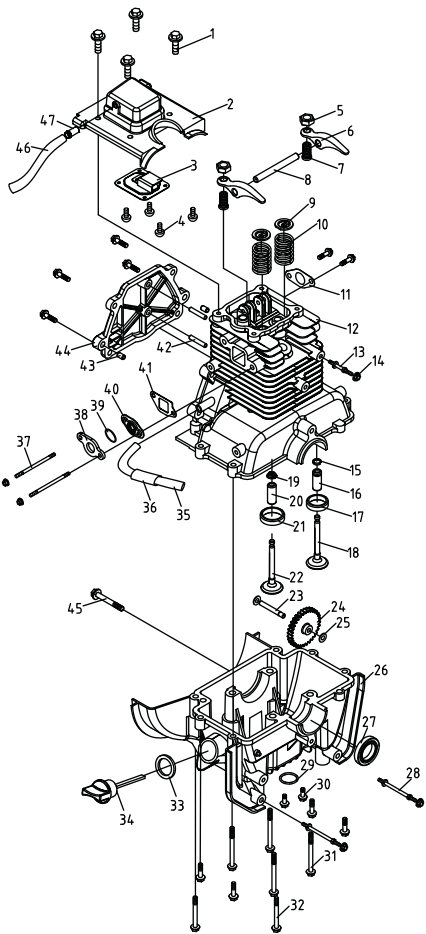
Bearing

Ref.	Kipor No.	NTP No.	Description	Qty.
h	GB/T276-1994		Roller Bearing 6203	2

Oil Seal Ring

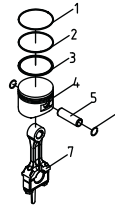
Ref.	Kipor No.	NTP No.	Description	Qty.
i	KG55-01033		O-ring (20x1.4)	1
j	KG55-01015		O-ring (27.5x2.65)	1

Engine Block Assembly KG55AGTi-01000



y

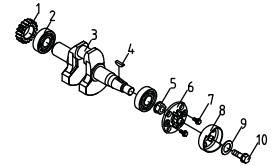
2
ge 2



Piston & Connecting Rod Assembly
KG55-04000

.a 1

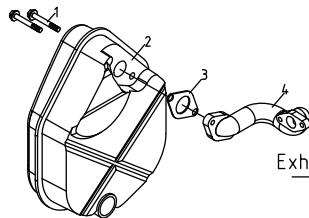
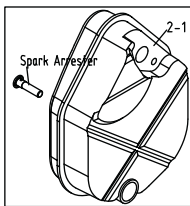
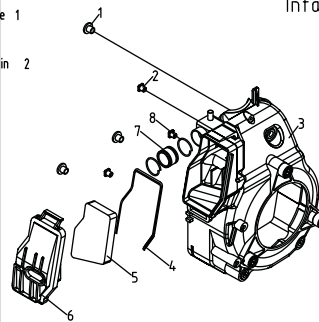
Crankshaft Assembly
KG55-05000



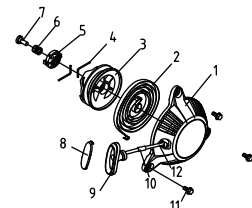
ate 1

Pin 2

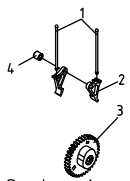
Intake-air System KG55AGTi-07000



Exhaust System KG55-08000

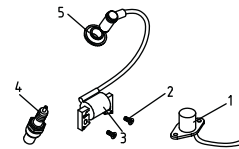
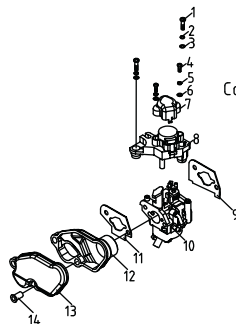


Recoil Starter Assembly KG55-12000



Valve System Assembly
KG55-06000a

Carburetor Assembly KG55AGTi-b-10000



Ignition System KG55AGTi-14000

KG144

Ref No.	Kipor No.	NTP No.	Description	Qty
	KG55AGTi-01000 Cylinder Block Assembly			
1	GB/T5789-1986		Bolt M5X20	14
2	KG55AGTi-01009	48-0976	Cylinder Head Cover	1
3	KG55AGTi-01300		Respirator	1
4	GB/T818-2000		Screw M3X5	4
5	KG55-01039		Adjusting nut, valve clearance	2
6	KG55-01008a		Valve Rocker Arm	2
7	KG55-01006		Adjusting Screw, valve clearance	2
8	KG55-01007		Rocker Shaft	1
9	KG55-01026		Valve Spring Retainer	2
10	KG55-01027		Valve Spring	2
11	KG55-01023	48-0968	Exhaust Pipe Gasket	1
12	KG55AGTi-01205		Screw M3X5	1
13	KG55-01014		Fan Mounting Stud	1
14	GB/T6177.1-2000		Nut M5	5
15	GB/T895.2-1986		Retaining Ring 7	1
16	KG55-01202		Exhaust Valve Guide Tube	1
17	KG55-01204		Exhaust Valve Seat	1
18	KG55-01025		Exhaust Valve	1
19	KG55-01041		Intake Valve Guide Oil Seal	1
20	KG55-01201		Intake Valve Guide Tube	1
21	KG55-01203		Intake Valve Seat	1
22	KG55-01024		Intake Valve	1
23	KG55AGTi-01103		Oil-Leakage Gear Shaft	1
24	KG55AGTi-01102		Oil-Leakage Gear	1
25	KG55-01104		Gasket $\Phi 10 \times \Phi 4 \times 0.5$	2
26	KG55AGTi-01101		Oil Pan	1
27	KG55-01037		Oil Seal $\Phi 27 \times \Phi 17 \times 5$	1

28	KG55-01028		Fan Mounting Stud	2
29	KG55-01015		O-Seal Ring 27.5X2.65	1
30	GB/T5789-1986		Bolt M5X12	2
31	GB/T5789-1986		Bolt M6X55	4
32	GB/T5789-1986		Bolt M5X35	2
33	KG240-01016	48-0950	Oil Level Guage Gasket	1
34	KG55-01031	48-0969	Oil Level Guage	1
35	KG55AGTi-01036		Negative Pressure Pipe	1
36	KG55-01035		Pipe Shroud	1
37	KG55-01038		Intake Stud	2
38	KG55-01016	48-0965	Carburetor Insulation Block	1
39	KG55-01033		O-Seal Ring 20X1.4	1
40	KG55-01017	48-0966	Carburetor Heat Insulation Plate	1
41	KG55-01018	48-0967	Intake Pipe Gasket	1
42	KG55-01005		Tappet Shaft	2
43	KG55-01003		Crankcase Rear Cover Location Pin	2
44	KG55AGTi-01001		Crankcase Rear Cover	1
45	GB/T5789-1986		Bolt M6X45	1
46	KG55AGTi-01034	48-0977	Vent Pipe	1
47	KG55AGTi-01032		Coupling	1
	KG55-04000		Piston and Connecting Rod Assembly	
1	KG55-04001		1st Compression Ring	1
2	KG55-04002		12nd Compression Ring	1
3	KG55-04100		Oil Seal	1
4	KG55-04003		Piston	1
5	KG55-04004		Piston Pin	1
6	GB/T895.1-1986		Retainning Ring10	2
7	KG55-04200		Connecting Rod	1

	KG55-05000		Crankshaft Assembly	
1	KG55-05002		Crankshaft Timing Gear	1
2	GB/T276-1994		Rolling Bearing 6203	2
3	KG55-05001		Crankshaft	1
4	KG55-05003		Key 3X4.9X16	1
5	KG55-05004		Motor Rotor Nut	1
6	KG55-05005a		Starting Claw Disk Bracket	1
7	GB/T5789-1986		Bolt M5X12	2
8	KG55-05006		Starting Claw Disk	1
9	GB/T96.1-2002		Large Back Up Ring 6	1
10	GB/T5789-1986		Bolt M6X12	1
	KG55AGTi-07000		Inlet System	
1	KG55-07126		Bushing II	3
2	KG55-07125		Bush I	3
3	KG55AGTi 07123		Wind Scooper	1
4	KG55-07113		Seal Gasket II	1
5	KG55-07122	48-0984	Filter Element	1
6	KG55-07111		Air Filter Cover	1
7	KG55-07002		Connecting Pipe	1
8	KG55-07001		Clamp	2
	KG55-08000		Exhaust System	
1	GB/T5789 1986		Bolt M6X50	2
2	KG55-08100a		Muffler Weldment	1
2--1	KG55-08100a	48-0971	Muffler Assy w/ Spark Arrestor	1
3	KG55-08002		Muffler Gasket	1
4	KG55-08001	48-0970	Exhaust Siphon	1

	KG55-06000b		Valve Mechanism System	
1	KG55-06002		Valve Push Rod	2
2	KG55-06001		Valve Tappet	2
3	KG55-06101a		Cam & Driving Gear	1
4	KG55-06003		Shaft Sleeve	1
	KG55AGTI-b-10000		Carburetor Assembly	
1	GB/T818-2000		Screw M4X10	2
2	GB/T848-2002		Back Up Ring 3	2
1	GB/T93-1987		Back Up Ring 4	2
4	GB/T818-2000		Screw M3X5	2
5	GB/T848-2002		Back Up Ring 4	2
6	GB/T93-1987		Back Up Ring 4	2
7	KG55-10002		Motor Bracket Cover	1
8	KG55-10001		Motor Bracket	1
9	KG55-10003	48-0972	Carburetor Gasket	1
10	P15-b-000	48-0980	Carburetor	1
10-1	P15-015A	48-0991	High Altitude Jet	
10-2	24BYJ24	48-0723	Stepping Motor	
11	KG55-10004	48-0973	Carburetor Gasket A	1
12	KG55-10102		Intake Pipe	1
13	KG55-10101		Intake Pipe Cover	1
14	KG55-10103		Bush	1
15	P15-016	48-0981	Choke Handle	1
16	P15-015		Main Jet	1
	KG55-12000		Recoil Starter Assembly	
1	KG55-12001		Starter Shell	1

2	KG55-12003		Recoil Starter Shell	1
3	KG55-12002		Starter Winding Shaft	1
4	KG55-12006		Stop Lever	2
5	KG55-12007		Stop Lever Disk	1
6	KG55-12004		Friction Spring	1
7	KG55-12008		Screw	1
8	KG55-12012		Starter Handle Cover	1
9	KG55-12011		Starter Handle	1
10	KG55-12009		String Bush	1
11	GB/T5789-1986		Bolt M5X12	3
12	KG55-12005		Starting String	1
1-12	KG55-12000	48-0974	Recoil Starter Assembly	1
	KG55AGTI-14000		Ignition System	
1	KG55AGTi-14200	48-0974	Oil Alert	1
2	GB/T845-1985		Screw ST5.5X19-F-H	2
3	KG55-14100	48-0975	Ignition Coil	1
4	UR5	48-0997	Spark Plug	1
5	KG55-14001		Shock Absorption Sleeve	1